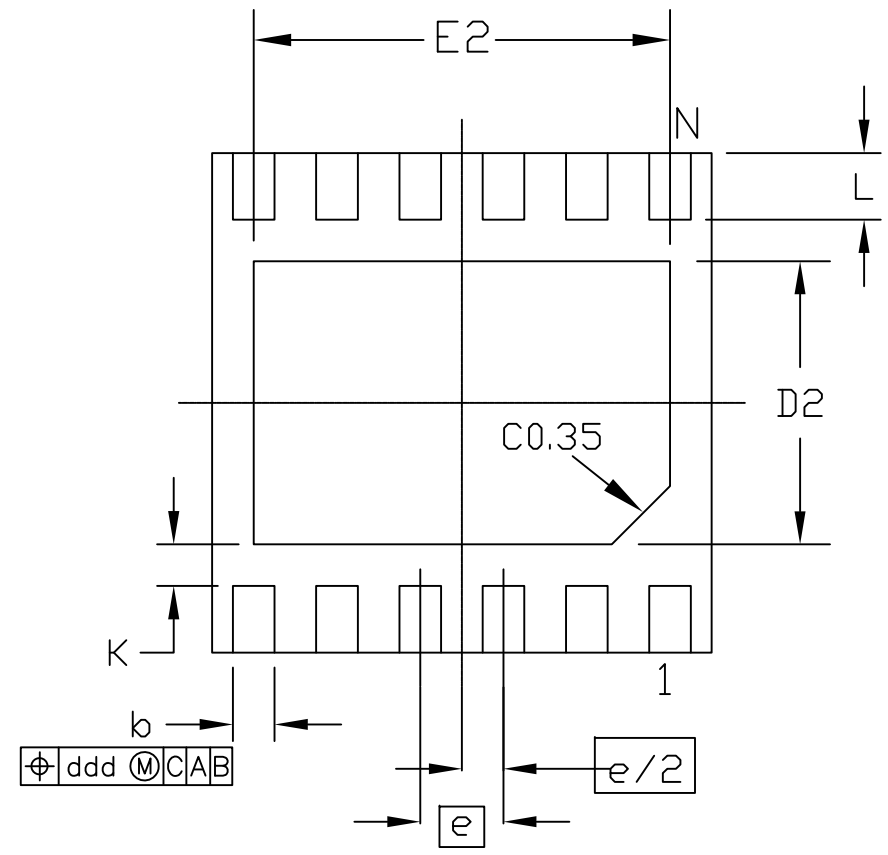
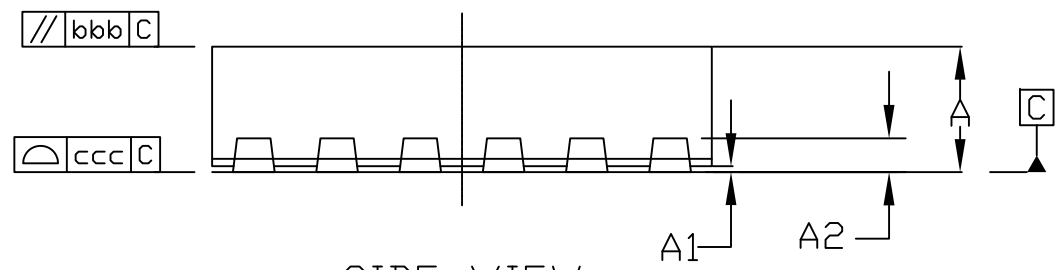


PIN 1 INDEX AREA
TOP VIEW



BOTTOM VIEW



SIDE VIEW

-DRAWING NOT TO SCALE-



| | | | |
|--|---------------------------------|-----------|-----|
| TITLE: PACKAGE OUTLINE 12L TDFN, 3x3x0.75 MM | | | |
| APPROVAL | DOCUMENT CONTROL NO. 21-0664 | REV. E | 1/2 |

| DIMENSIONAL REFERENCES | | | | | | | |
|------------------------|--------|---------------------|-------|------|----------------------|-------|------|
| | SYMBOL | MIN | NOM | MAX | MIN | NOM | MAX |
| TOTAL THICKNESS | A | 0.7 | 0.75 | 0.8 | 0.7 | 0.75 | 0.8 |
| STAND OFF | A1 | 0 | 0.035 | 0.05 | 0 | 0.035 | 0.05 |
| L/F THICKNESS | A2 | 0.203 REF | | | 0.203 REF | | |
| LEAD WIDTH | b | 0.2 | 0.25 | 0.3 | 0.2 | 0.25 | 0.3 |
| BODY SIZE | D | 2.9 | 3.0 | 3.1 | 2.95 | 3.00 | 3.05 |
| | E | 2.9 | 3.0 | 3.1 | 2.95 | 3.00 | 3.05 |
| LEAD PITCH | e | 0.5 BSC | | | 0.5 BSC | | |
| EP SIZE | D2 | 1.6 | 1.7 | 1.8 | 1.45 | 1.55 | 1.65 |
| | E2 | 2.4 | 2.5 | 2.6 | 2.4 | 2.50 | 2.6 |
| LEAD LENGTH | L | 0.35 | 0.4 | 0.45 | 0.30 | 0.4 | 0.50 |
| PACKAGE EDGE TOLERANCE | aaa | 0.1 | | | 0.1 | | |
| MOLD FLATNESS | bbb | 0.1 | | | 0.1 | | |
| COPLANARITY | ccc | 0.08 | | | 0.08 | | |
| LEAD OFFSET | ddd | 0.1 | | | 0.1 | | |
| EXP PAD TO LEAD EDGE | K | 0.25 min | | | 0.25 min | | |
| LEAD COUNT | N | 12 | | | 12 | | |
| PKG CODE: | | TD1233+1, TD1233+1C | | | TD1233+2, TD1233+2C, | | |

NOTES:

1. ALL DIMENSIONS ARE IN MILLIMETERS.
2. WARPAGE SHALL NOT EXCEED 0.10 mm.
3. COPLANARITY APPLIES TO THE EXPOSED PAD AS WELL AS THE TERMINALS.
4. COPLANARITY SHALL NOT EXCEED 0.08 mm.
5. MARKING SHOWN IS FOR PACKAGE ORIENTATION REFERENCE ONLY.
6. ALL DIMENSIONS APPLY TO PbFREE (+) PKG. CODES ONLY.



TITLE:
PACKAGE OUTLINE
12L TDFN, 3x3x0.75 MM

APPROVAL

DOCUMENT CONTROL NO.
21-0664

REV.
E 2/2

-DRAWING NOT TO SCALE-