



[Maxim](#) > [Design Support](#) > [Technical Documents](#) > [Application Notes](#) > [T/E Carrier and Packetized](#) > APP 387

Keywords: repeater, T1, E1, T1/E1, LIU, line interface unit

APPLICATION NOTE 387

Using DS2148/DS21348 as Repeater

May 29, 2002

Abstract: Application note 387 describes the use of the Maxim DS2148/DS21348 as a T1 or E1 repeater. A simple circuit diagram shows typical connections. Configurations for Hardware Mode and Software Mode are also provided.

Introduction

This application note describes the register settings for Maxim's DS2148 and DS21348 (E1/T1/J1 line interface units) as a repeater for T1 or E1 operation. This can be accomplished with the device in either hardware or software mode.

The receive sensitivity for these two LIUs is programmable and is as much as -36dB for T1 applications and -43dB for E1 applications.

To simplify the design, it is recommended to use a 2.048MHz oscillator and use the internal register settings of the DS2148 and the DS21348 to convert the MCLK to 1.544MHz for T1 applications.

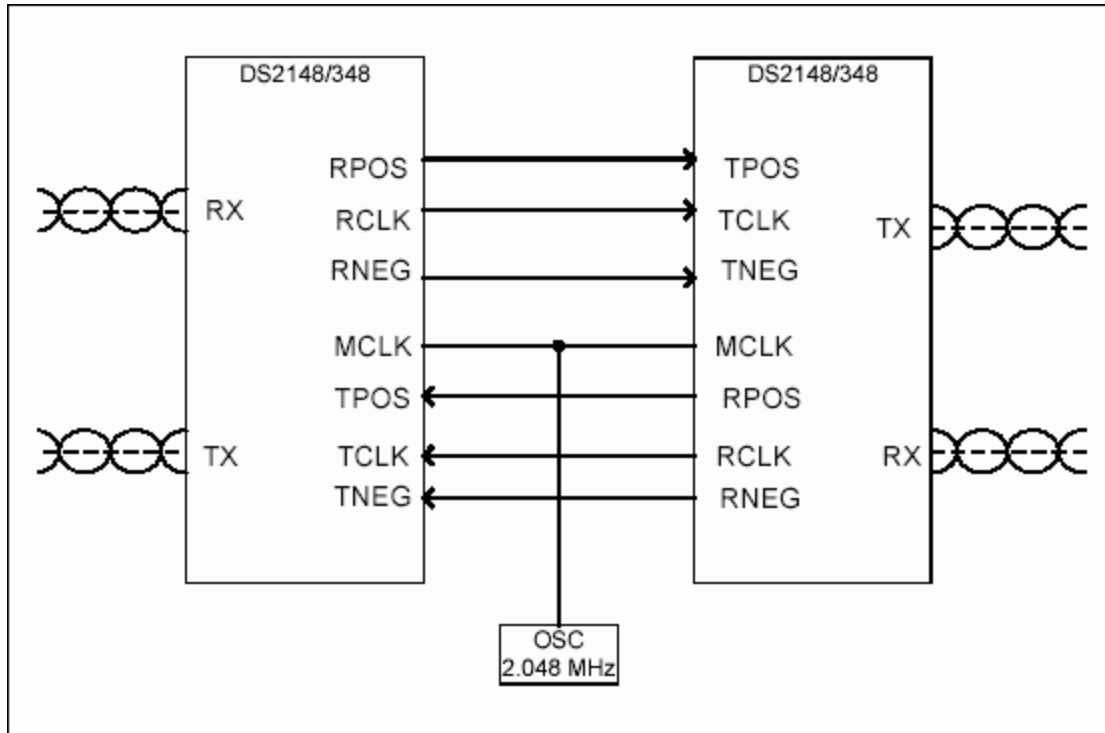


Figure 1. Typical T1/E1 repeater application.

The configuration settings of the DS2148 or the DS21348 in hardware mode are:

Hardware Mode Settings for T1	Hardware Mode Settings for E1
MCLK = 2.048MHz	MCLK = 2.048MHz
BIS1 = 1, BIS0 = 1	BIS1 = 1, BIS0 = 1
CES = 0	CES = 0
DJA = 0 or 1 (application dependent)	DJA = 0 or 1 (application dependent)
HBE = 1	HBE = 1
JAS = 0 or 1 (application dependent)	JAS = 0 or 1 (application dependent)
NRZE = 0	NRZE = 0
TPD = 0	TPD = 0
L2 = L1 = L0 = 0	L2/L1/L0 (application dependent)
TX1 = 0, TX0 = 0	TX1 = 0, TX0 = 0
LOOP1 = 0, LOOP0 = 0	LOOP1 = 0, LOOP0 = 0
EGL = 1, ETS = 1 (limited long haul)	EGL = 0, ETS = 0 (short haul)
EGL = 0, ETS = 1 (long haul)	EGL = 1, ETS = 0 (long haul)
MM1 = 0, MM0 = 0	MM1 = 0, MM0 = 0
RT1 = 1, RT0 = 0 (internal Rx side, 100Ω enabled)	RT1 = 0, RT0 = 1 (internal Rx side, 120Ω enabled)
	RT1 = 1, RT0 = 1 (internal Rx side, 75Ω enabled)
JAMUX = 1, ETS = 1	JAMUX = 1, ETS = 0

The configuration settings of the DS2148 or the DS21348 in software mode are:

Software Mode Register Settings for T1		Software Mode Register Settings for E1	
MCLK = 2.048MHz		MCLK = 2.048MHz	
CCR1 (00H)	CCR1.7 = 1	CCR1 (00H)	CCR1.7 = 0
	CCR1.6 = 0		CCR1.6 = 0
	CCR1.3 = 1		CCR1.3 = 1
	CCR1.1 = 1		CCR1.1 = 1
CCR2 (01H)	CCR2.3 = 1	CCR2 (01H)	CCR2.3 = 1
	CCR2.2 = 1		CCR2.2 = 1
	CCR2.1 = 0		CCR2.1 = 0
	CCR2.0 = 0		CCR2.0 = 0
CCR4 (03H)	CCR4.7 = CCR4.6 = CCR4.5 = 0	CCR4 (03H)	CCR4.7, CCR4.6, and CCR4.5 (<i>application dependent</i>)
	CCR4.1 (<i>application dependent</i>)		CCR4.1 (<i>application dependent</i>)
	CCR4.0 = 0		CCR4.0 = 0
CCR5 (04H)	CCR5.5 = 0, CCR5.4 = 0	CCR5 (04H)	CCR5.5 = 0, CCR5.4 = 0
	CCR5.1 = 1, CCR5.0 = 0 (<i>internal Rx side, 100Ω enabled</i>)		CCR5.1 = 0, CCR5.0 = 1 (<i>internal RX side, 120Ω enabled</i>)
			CCR5.1 = 1, CCR5.0 = 1 (<i>internal Rx side, 75Ω enabled</i>)

Related Parts

DS21348	3.3V E1/T1/J1 Line Interface	Free Samples
DS2148	5V E1/T1/J1 Line Interface	

More Information

For Technical Support: <http://www.maximintegrated.com/support>

For Samples: <http://www.maximintegrated.com/samples>

Other Questions and Comments: <http://www.maximintegrated.com/contact>

Application Note 387: <http://www.maximintegrated.com/an387>

APPLICATION NOTE 387, AN387, AN 387, APP387, Appnote387, Appnote 387

Copyright © by Maxim Integrated Products
Additional Legal Notices: <http://www.maximintegrated.com/legal>