

Keywords: clock, loopback, remote framer loopback, payload loopback, local loopback, jitter attenuator, t1, e1, t1/e1, SCT, single chip transceiver, LIU, line interface unit

APPLICATION NOTE 354

# DS2152, DS2154 Clock Map

May 16, 2001

*Abstract: Application note 354 provides a logical diagram of the clock map of the Maxim DS2154 and DS2152 single chip transceivers (SCTs).*

**Figure 1** logically describes the clock map of the DS2152 and DS2154 Single Chip Transceivers. Although there is only one Jitter Attenuator, which can be placed in the receive or transmit path, two are shown for simplification and clarity.

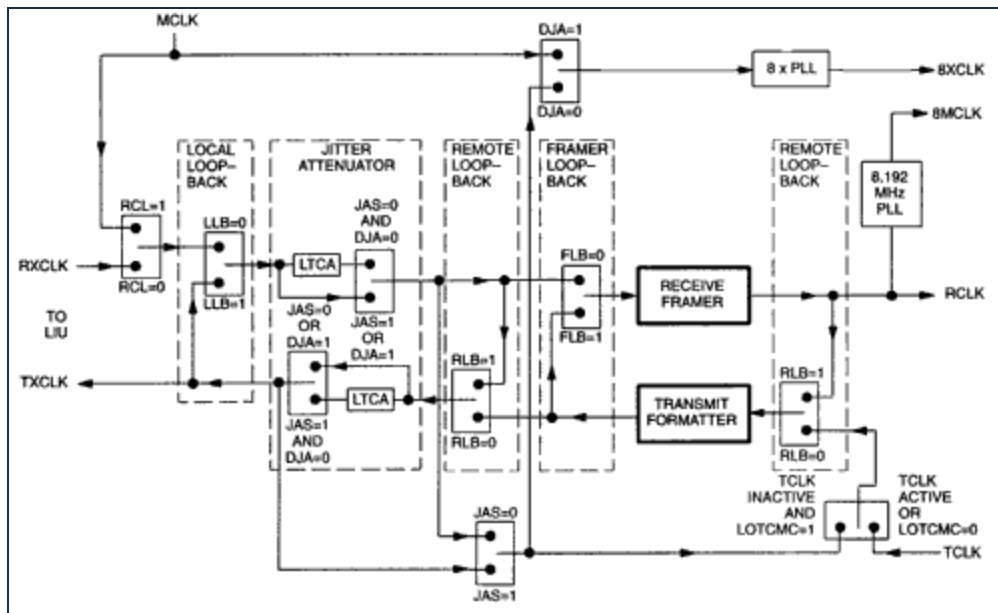


Figure 1. Clock map.

## Notes

The PAYLOAD loopback switch is not included on the DS2154.

LTCA = Long Term Clock Average

RLB = Remote LoopBack

FLB = Framer LoopBack

PLB = Payload LoopBack

LLB = Local Loopback

JAS = Jitter Attenuator Select

DJA = Disable Jitter Attenuator

RCL = Receive Carrier Loss

LOTCCM = Loss Of Transmit Clock Mux Control

RXCLK = Recovered clock from LIU

TXCLK = Transmit rate clock for LIU

---

### Related Parts

<a href="#">DS2152</a>	Enhanced T1 Single Chip Transceiver
------------------------	-------------------------------------

<a href="#">DS2154</a>	Enhanced E1 Single Chip Transceiver
------------------------	-------------------------------------

---

---

### More Information

For Technical Support: <http://www.maximintegrated.com/support>

For Samples: <http://www.maximintegrated.com/samples>

Other Questions and Comments: <http://www.maximintegrated.com/contact>

---

Application Note 354: <http://www.maximintegrated.com/an354>

APPLICATION NOTE 354, AN354, AN 354, APP354, Appnote354, Appnote 354

Copyright © by Maxim Integrated Products

Additional Legal Notices: <http://www.maximintegrated.com/legal>