

Keywords: low frequency noise, 1/f noise, voltage references, low-noise op amps

#### APPLICATION NOTE 3531

## How to Reduce Reference Noise by Half

Jun 20, 2005

*Abstract: A low-noise, 2.5V reference is constructed by stacking four 2.5V reference ICs in series. The resulting 10V output is divided back to 2.5V, and a low-noise unity-gain buffer added. This stacked-reference design reduces noise because the noise from each IC, being random and uncorrelated, partially cancels each other out.*

The low-frequency 1/f noise (LF noise) generated by a voltage reference at frequencies below 10Hz is very hard to reduce. One design approach reduces LF noise by implementing a lowpass RC filter, but that requires high-valued capacitors and resistors. High-value capacitors have lower value leakage resistance, which causes voltage error and long-term instability due to an uncontrolled voltage divider with the high-value series resistors. High-value series resistors cause error by undesired voltage drops due to leakage currents and by generating their own thermal noise.

Stacking multiple references will reduce LF noise. By using multiple voltage sources, each composed of a DC source and a noise source, the DC voltages increase linearly and the noise sources (if not correlated) sum geometrically in an RMS fashion. Adding four references, for example, each consisting of a  $V_{REF}$  generator and a  $V_{NOISE}$  generator, produces the following outputs:

$$V_{REFTOTAL} = 4 \cdot V_{REF}, \text{ and } V_{NOISETOTAL} = \sqrt{4 \cdot (V_{NOISE})^2} = 2 \cdot V_{NOISE}$$

The original ratio of noise voltage to DC reference voltage is divided in half.

**Figure 1** shows how to stack multiple references to generate a single, less noisy reference voltage. The resistors are parts of a high-stability metal-film network, and the op amp is selected for low noise, very low input-offset voltage, and low offset tempco.

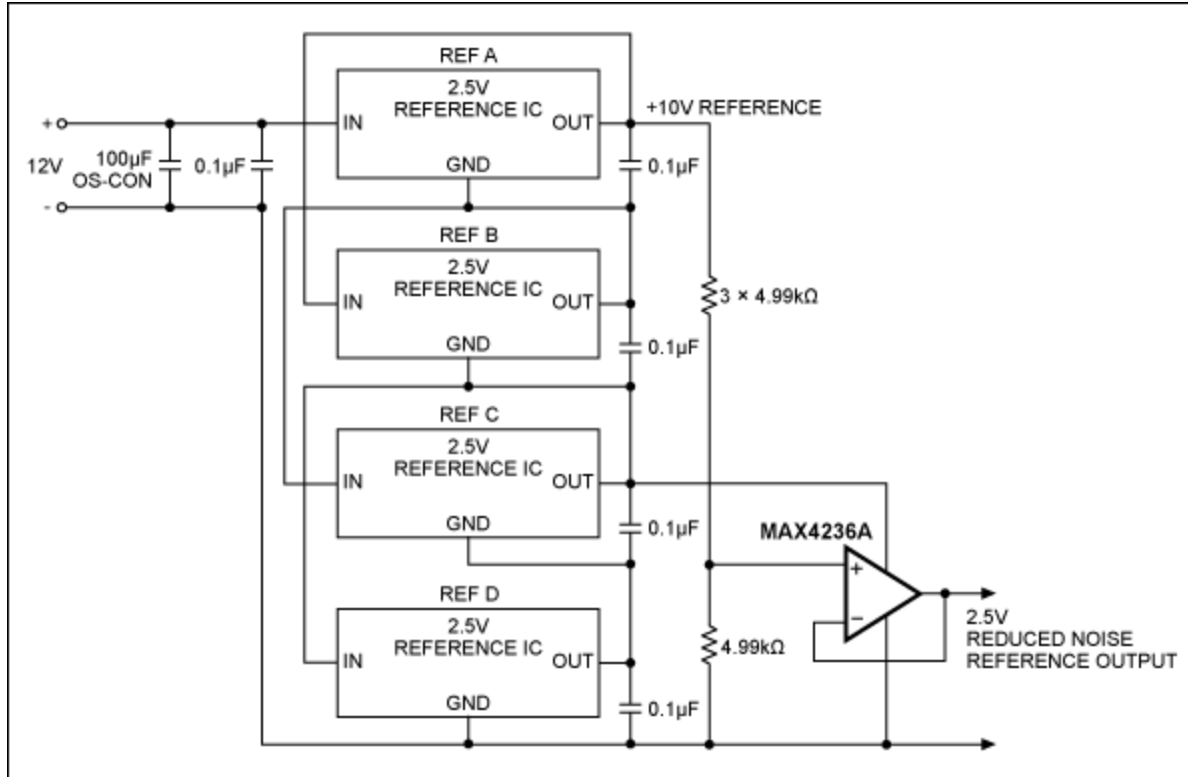


Figure 1. Four 2.5V references are stacked to produce 10V. The output is then divided back to 2.5V, which reduces the noise voltage by half.

Two types of 2.5V voltage references can be used in the design. **Table 1** and **Table 2** show the noise voltages that result from use of either the MAX6037 or the MAX6143 reference. Each table shows the 0.1Hz-to-10Hz noise voltage for the four references individually, and for them in combination. (The dispersion in the ratios of RMS to peak-to-peak (P-P) values is due to some subjectivity in the method used to measure those P-P values.)

**Table 1. Noise Voltage Measurements of the Circuit in Figure 1 Using the MAX6037 2.5V Voltage Reference**

Measurement Points	Noise ( $\mu\text{V}_{\text{RMS}}$ )	Noise( $\mu\text{V}_{\text{P-P}}$ )
Reduced noise output(op amp, output to V-)	1.0	10
Across Reference A(OUTA to GNDA)	1.9	20
Across Reference B(OUTB to GNDB)	1.6	19
Across Reference C(OUTC to GNDC)	1.7	20
Across Reference D(OUTD to GNDD)	2.7	30

**Table 2. Noise Voltage Measurements of Figure 1 Circuit Using MAX6143 2.5V Voltage References**

Measurement Points	Noise ( $\mu\text{V}_{\text{RMS}}$ )	Noise( $\mu\text{V}_{\text{P-P}}$ )
Reduced noise output(op amp, output to V-)	0.27	2.2
Across Reference A(OUTA to GNDA)	0.52	4.7
Across Reference B(OUTB to GNDB)	0.60	4.8
Across Reference C(OUTC to GNDC)	0.50	4.3

Across Reference D(OUTD to GNDD)	0.55	4.7
----------------------------------	------	-----

As an additional benefit of this reference-stack arrangement, the portion of long-term drift due to noise will also be reduced.

A similar version of this article appeared as a Design Idea in the February 3, 2005 issue of *EDN* magazine.

#### Related Parts

[MAX4236](#) SOT23, Very High Precision, 3V/5V Rail-to-Rail Op Amps [Free Samples](#)

---

#### More Information

For Technical Support: <http://www.maximintegrated.com/support>

For Samples: <http://www.maximintegrated.com/samples>

Other Questions and Comments: <http://www.maximintegrated.com/contact>

---

Application Note 3531: <http://www.maximintegrated.com/an3531>

APPLICATION NOTE 3531, AN3531, AN 3531, APP3531, Appnote3531, Appnote 3531

Copyright © by Maxim Integrated Products

Additional Legal Notices: <http://www.maximintegrated.com/legal>