

Keywords: interface, non-multiplexed, port, SCTs, single chip transceivers

APPLICATION NOTE 303

DS2151, DS2153 Interfacing to the ADSP-2181

May 01, 2001

Abstract: Application note 303 provides information on connecting the DS2151 and DS2153 single chip transceivers (SCTs) to a 16-bit DSP: the Analog Devices ADSP2181.

Interconnections between the DS2151 or DS2153 parallel port and the Analog Devices ADSP-2181 non-multiplexed I/O port are shown in **Figure 1**. Refer to [Application Note 326: Interfacing to a Nonmultiplexed Bus](#) for further information.

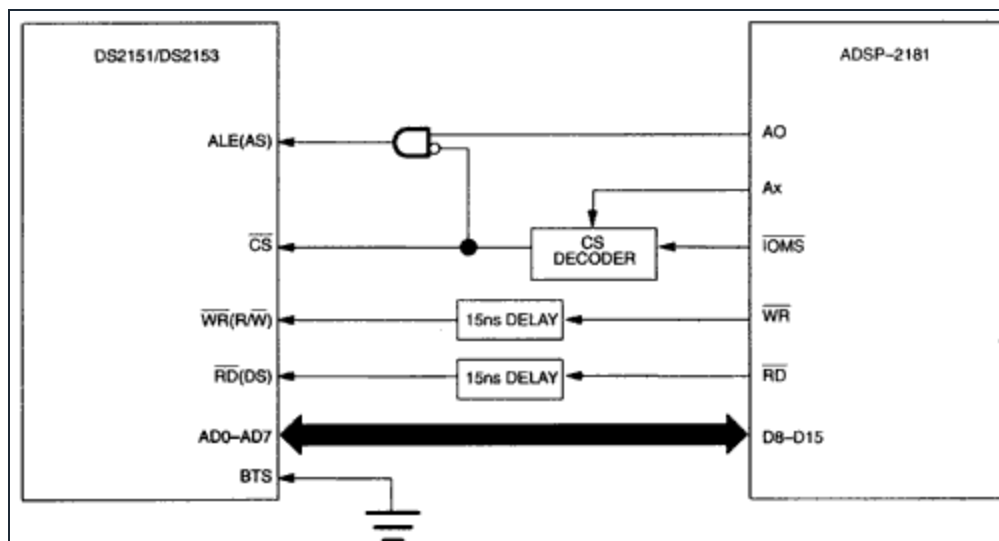


Figure 1. Transceiver - ADSP2181 Interconnections.

More Information

For Technical Support: <http://www.maximintegrated.com/support>

For Samples: <http://www.maximintegrated.com/samples>

Other Questions and Comments: <http://www.maximintegrated.com/contact>

Application Note 303: <http://www.maximintegrated.com/an303>

APPLICATION NOTE 303, AN303, AN 303, APP303, Appnote303, Appnote 303

Copyright © by Maxim Integrated Products

Additional Legal Notices: <http://www.maximintegrated.com/legal>

